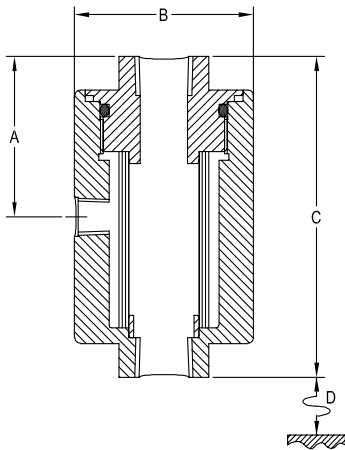


Stainless Steel Fast Loop Series

316L stainless steel construction
Designed to BS5500
Minimise reponse time



Headline Fast Loop Filters are specified where response time is critical. The filter is sited as closely as possible to the Gas Analyser, and the process gas is pumped through the filter housing at high velocity. The sample for analysis is drawn through the filter element to the Analyser, with the bulk of the process gas returned to the process unfiltered.

Principal Specifications

Housing Model	116IL-3	126IL-3	136IL-3	146IL-3
Port Size - NPT	1/4"	1/4"	1/2"	1/2"
Sample Port Size - NPT	1/4"	1/4"	1/4"	1/4"
Maximum Pressure - Bar (1)	340	340	100	100
Maximum Temperature - °C	200	200	200	200
Materials of Construction (2)				
Head, Bowl & Internals	316L	316L	316L	316L
Gaskets	Viton	Viton	Viton	Viton
Principal Dimensions				
A - mm	35.5	48	57	114
B - mm	50	50	63.5	63.5
C - mm	71	96	114	232
D - mm	50	75	85	200
Volume - cc	20	28	94	240
Weight - kg	0.7	1.0	1.6	3.3
Accessories				
Standard Gasket Set	GV126IL-3	GV126IL-3	GV136IL-3	GV136IL-3
Filter Element Codes (3)				
Disposable Element	12-32-xx	12-57-xx	25-64-xx	25-178-xx
Stainless Steel Element	SS-12-32-xx	SS-12-57-xx	SS-25-64-xx	SS-25-178-xx
PTFE Element	PT-12-32-xx	PT-12-57-xx	PT-25-64-xx	PT-25-178-xx

Notes (1) Above 200°C the pressure rating is reduced, consult Headline for the exact rating at any specific temperature
(2) Material abbreviation, 316L = 316L Stainless steel
(3) Replace 'xx' with grade required, e.g. 25-64-50C, SS-25-64-25, PT-25-178-03